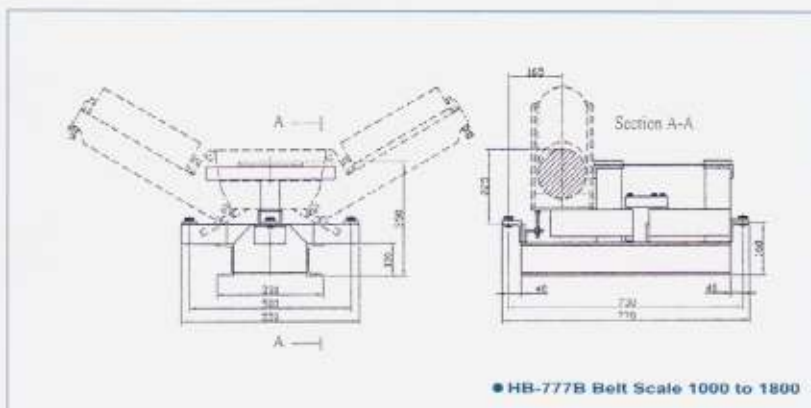
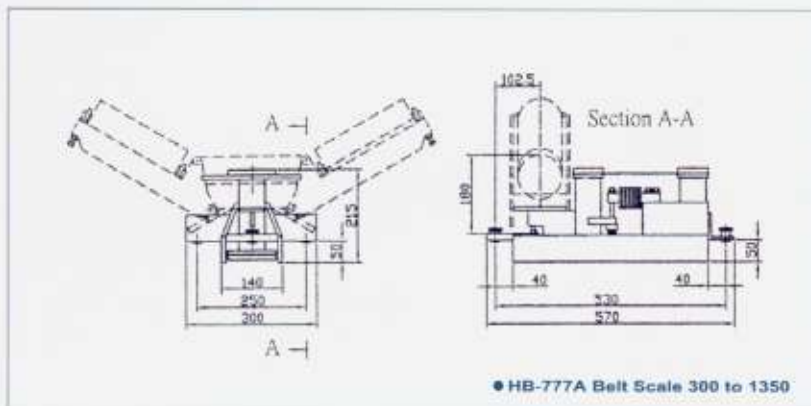
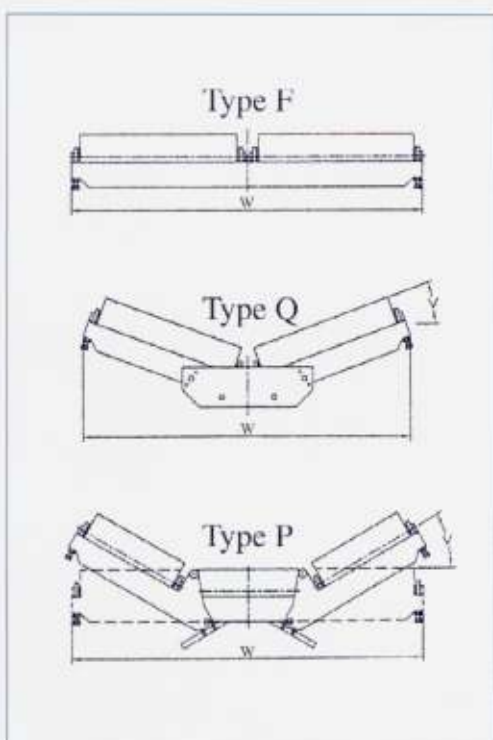


SPECIFICATIONS

Reference Dimensions



SPECIFICATIONS, Adjustable Idlers



| Designation for roller set | For belt widths mm | Adj. Troughing Angle, V° | W mm |
|----------------------------|--------------------|--------------------------|-----------|
| F1 | 450 | - | 460-500 |
| F2 | 650 | - | 740-780 |
| F3 | 700 | - | 880-920 |
| F4 | 1000 | - | 1020-1060 |
| F5 | 1300 | - | 1370-1410 |
| Q1 | 500 | 15-25 | 620-660 |
| P1 | 500-600 | 15-45 | 710-750 |
| P2 | 700-850 | 10-45 | 810-850 |
| P3 | 900-1050 | 10-45 | 1130-1170 |
| P4 | 1100-1200 | 10-45 | 1340-1380 |
| P5 | 1200-1350 | 10-45 | 1410-1450 |
| P6 | 1000-1200 | 14-45 | 1440-1480 |
| P7 | 1200-1400 | 10-45 | 1650-1690 |
| P8 | 1400-1600 | 10-45 | 1840-1880 |
| P9 | 1600-1800 | 10-45 | 2050-2090 |